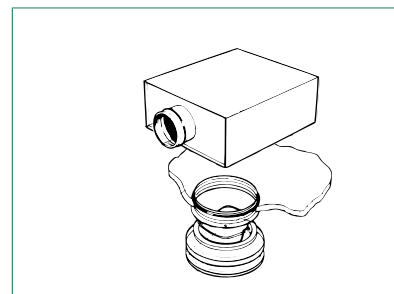
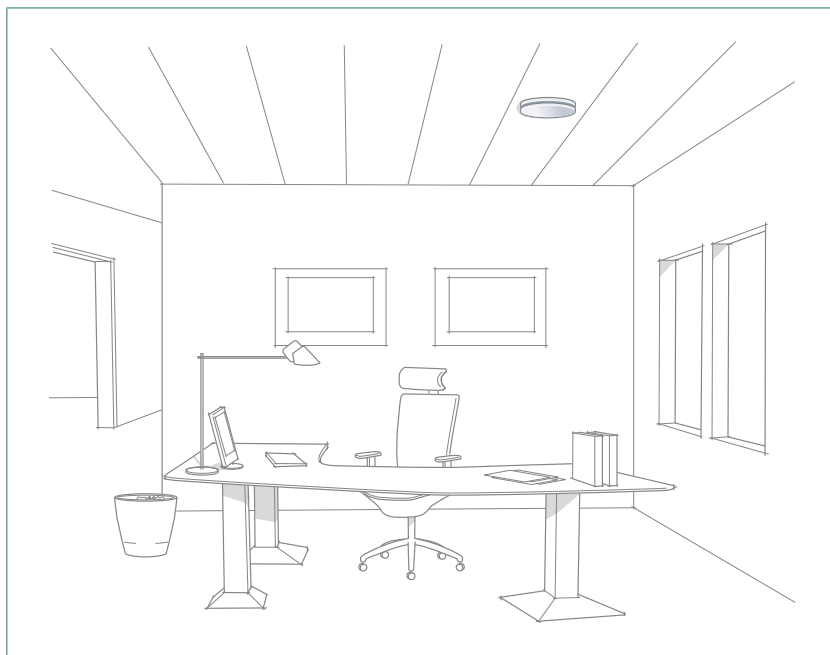


Ceiling diffuser CTPB



CTPB is a quiet 1-way air diffuser, which is normally positioned in a ceiling, although it can also be positioned on a wall. The air gap is variable, and the desired air diffusion direction can be set by rotating the diffuser. The diffuser is easily installed on the mounting ring with mounting brackets and is easy to keep clean thanks to its large, smooth surfaces. CTPB is available in two sizes, with connections 125 and 160.

Quick Selection

at 50 Pa

Air diffuser Size	Connection, mm Diffuser with box	Air flow range l/s at sound level		
		25 dB	30 dB	35 dB
CTPB-125	100-125	33	38	-
CTPB-160	125-160	48	56	-

- = outside working area

Specifications

- High sound attenuation
- Easy to install

Product code example

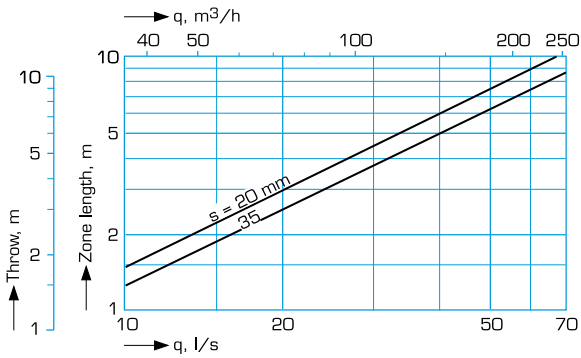
Ceiling diffuser CTPB-125

Plenum box ATTC-100-125-0

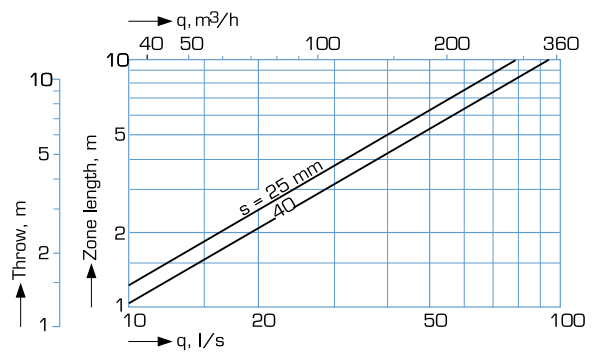
Mounting ring KGEZ-01

Air flow, zone length, throw, pressure drop, sound level

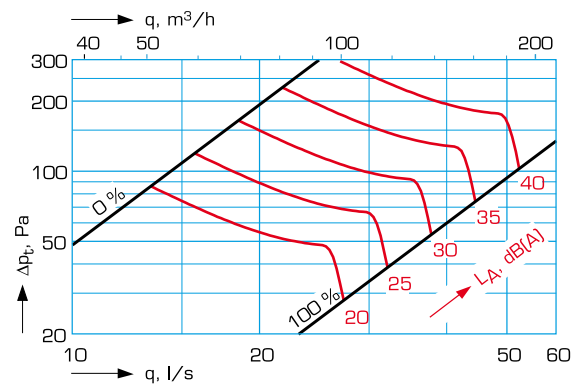
Size 125



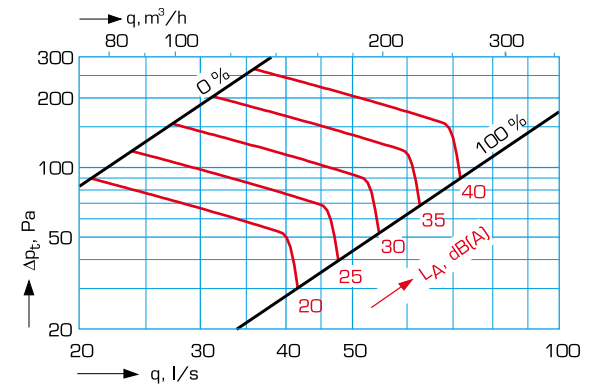
Size 160



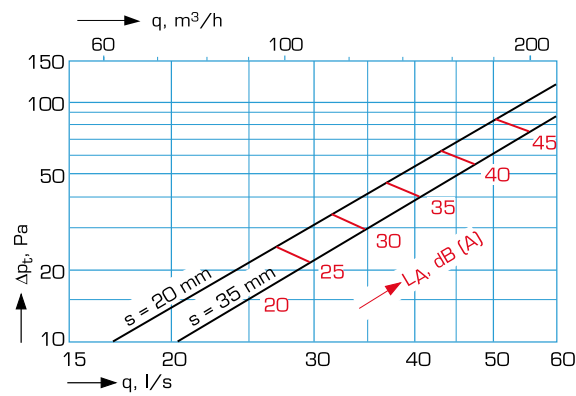
Size 125 with plenum box ATTC-100-125-0



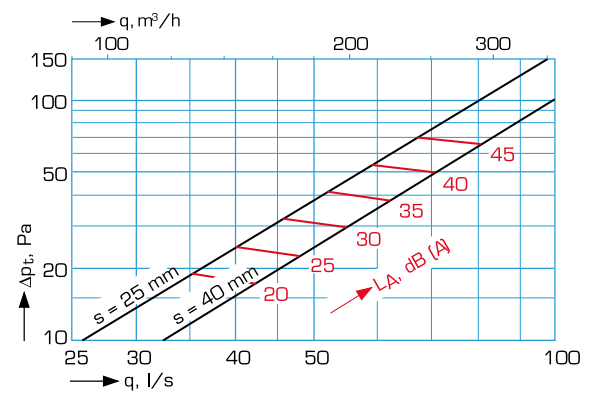
Size 160 with plenum box ATTC-125-160-0



Size 125 without plenum box

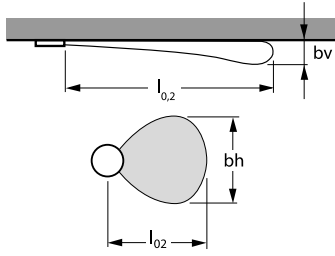


Size 160 without plenum box



Diffusion pattern

Air stream diffusion



$bv = l_{0,2} \times$	1-way
	0,1
$bh = l_{0,2} \times$	1,5

Acoustical data

Sound power level

Subdivision into frequency-divided sound power L_w is done on the basis of the L_{A10} values in the graphs and the correction K_{oct} below.

$$L_w = L_{A10} + K_{oct}$$

Ceiling diffuser without plenum box

CTPB	Correction of sound level in dB at octave bands, middle frequency, Hz							
	63	125	250	500	1000	2000	4000	8000
125	10	4	4	3	-2	-8	-14	-14
160	10	8	3	2	-2	-6	-14	-14

Ceiling diffuser with plenum box

CTPB	Correction of sound level in dB at octave bands, middle frequency, Hz							
	63	125	250	500	1000	2000	4000	8000
125/ 100-125	9	8	6	1	-2	-7	-8	-8
160/ 125-160	10	9	5	2	-4	-7	-8	-7

Sound Attenuation

Ceiling diffuser without plenum box

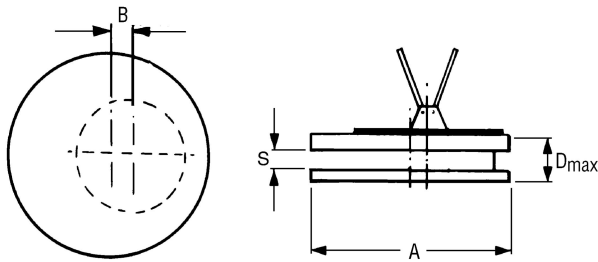
CTPB	Sound attenuation in dB at octave bands, middle frequency, Hz							
	63	125	250	500	1000	2000	4000	8000
125	20	16	12	10	7	6	8	8
160	19	14	11	16	12	8	10	8

Ceiling diffuser with plenum box

CTPB	Sound attenuation in dB at octave bands, middle frequency, Hz							
	63	125	250	500	1000	2000	4000	8000
125/ 100-125	21	16	12	16	16	11	9	8
160/ 125-160	19	14	11	16	12	8	10	8

Dimensions and weights

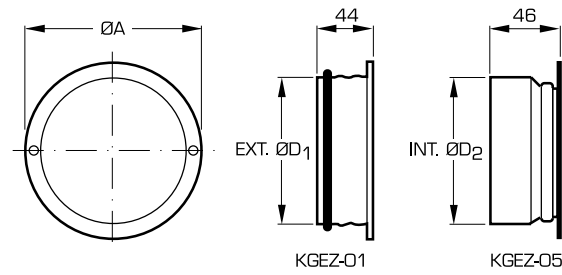
Ceiling diffuser CTPB



B = eccentricity

Size	A [mm]	B [mm]	S _{min} [mm]	S _{max} [mm]	D _{max} [mm]	Weight [kg]
125	200	17.5	20	35	54	0.55
160	250	25.0	25	40	59	0.80

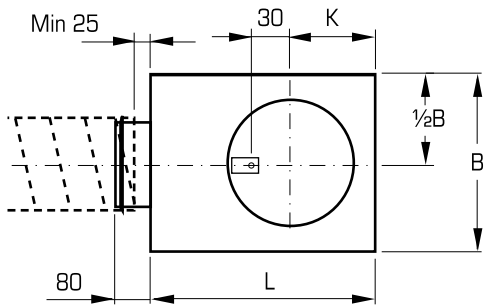
KGEZ-01, KGEZ-05 mounting rings



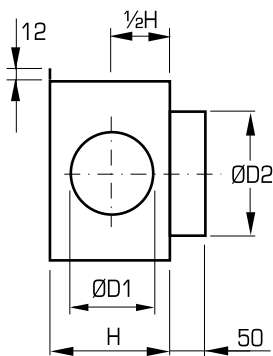
Size	A [mm]	D1 [mm]	D2 [mm]	Holes ¹⁾ [mm]	Weight [kg]
125	150	124.3	125	135	0.10
160	185	159.3	160	170	0.16

¹⁾ Tolerance ± 5 mm

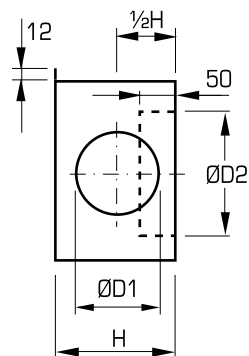
Plenum box ATTC



c = 0, 1



c = 2, 3

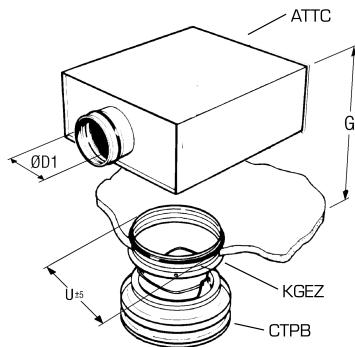


Size	ØD1 [mm]	ØD2 [mm]	H [mm]	L [mm]	B [mm]	K [mm]	Weight [kg]
100-125	99.3	125	170	320	320	120	2.1
125-160	124.3	160	170	470	320	140	3.0

Hole dimensions = D2+10 (±5 mm)

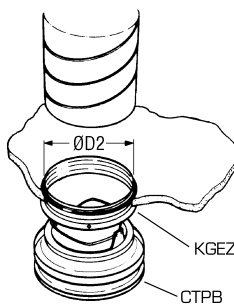
Installation

Air diffuser connected via plenum box



Size	ØD1 [mm]	ØD2 [mm]	U [mm]	G _{min} [mm]	G _{max} [mm]	ØU [mm]
125	99.3	125	135	220	240	135
160	124.3	160	170	220	240	170

Air diffuser connected directly to the duct



General

Application and function

CTPB is a quiet 1-way air diffuser, which is normally positioned in a ceiling, although it can also be positioned on a wall. The air gap is variable, and the desired diffusion direction can be set by rotating the diffuser. The diffuser is easy to install with clamps to the valve frame and is easy to keep clean thanks to its large, smooth surfaces.

CTPB is available in two sizes, with connections 125 and 160. The diffuser is also shown with plenum box ATTC.

The plenum box ATTC has a combined measurement and adjustment damper with very low noise generation. The patented multipoint measurement of the measurement and adjustment damper enables balanced and accurate values. The regulating handle of the measurement and adjustment damper has a position indicator and a locking device. The measurement and adjustment damper can be easily dismantled for inspection and cleaning without changing the setting of the damper. The plenum box is insulated (polyester fibre) or uninsulated and its air tightness class is C.

Material and surface finish

Air diffuser CTPB is made from hot-dip galvanized steel sheet, and meets the requirements for corrosivity class C2 in accordance with EN ISO 12944-2.

The diffusers are powder coated for a high surface finish and good impact and scratch resistance.

Standard colour is white (RAL 9010). Other colours and CleanVent coating on request.

The plenum box ATTC is made from steel sheet.

Technical data and dimensioning

For complete dimensioning details, please see FläktGroup product selection program. Contact our nearest sales office for further information.

Instructions

Directions for installation, adjustment and care are set out in detail in our technical instruction which accompanies each product. The instruction is also accessible on www.flaktgroup.com.

Packaging

The air diffuser is supplied as standard in a carton containing:

Size	Quantity	Weight, kg	Volume, m ³
CTPB-125	20	12	0.10
CTPB-160	20	24	0.12

Descriptive text

Air diffuser CTPB manufactured by FläktGroup, for example in size 125, with a plenum box with a removable damper and mounting ring.

Product code

Ceiling diffuser	CTPB-aaa
Ceiling diffuser, CleanVent	CTPB-aaa-C
Ceiling diffuser, special colour	CTPB-aaa-E
Size – connection dimension in mm (aaa)	
125, 160	
CleanVent coating (C)	
Special colour (E)	

Plenum box ¹⁾	ATTC-aaa-bbb-c
Size (aaa-bbb)	
100–125, 125–160	
Connection dimension in mm to duct (aaa)	
Connection dimension in mm to diffuser (bbb)	
Type (c)	
0 = uninsulated	
1 = insulated	
2 = low, uninsulated	
3 = low, insulated	

¹⁾ For a complete supply, mounting ring KGEZ-01 must be ordered for plenum box ATTC.

Accessories

Mounting ring - insertion connection	KGEZ-01-aaa
Mounting ring - fit-on connection	KGEZ-05-aaa
Size (aaa)	
125, 160	